

# FBH1435-DIM

## APPLICATION and PERFORMANCE SPECIFICATION

**Description:** Dimmable electronic ballast for Lamp (1)F14T5, (1)F21T5, (1)F28T5, (1)F35T5

- Line Voltage : 200-240Vac,50/60Hz
- High Power Factor

- Program Start
- Regulating Range 3%~100% (lamp current)

Model	Line		Lamp Type	No. of lamps	Input	Nominal	Ballast Factor	Power Factor	THD	Crest	Case #322
	Volts	Freq-Hz			Watts*	Line Amps				Factor	
FBH1435-DIM	200~240	50/60	F14T5 @ 100%	1	17	0.08	0.95	0.98	<10%	<1.7	T5Middle
			F14T5 @ 3%	1	5	-	-	-	-	<1.7	
			F21T5 @ 100%	1	24	0.11	0.95	0.98	<10%	<1.7	
			F21T5 @ 3%	1	5	-	-	-	-	<1.7	
			F28T5 @ 100%	1	32	0.15	0.95	0.98	<10%	<1.7	
			F28T5 @ 3%	1	6	-	-	-	-	<1.7	
			F35T5 @ 100%	1	39	0.18	0.95	0.98	<10%	<1.7	
F35T5 @ 3%	1	6	-	-	-	-	<1.7				

Application and Performance Specification Information Subject to Change without Notification.

### Performance:

- Meets IEC61347, IEC60929, IEC61000-3-2
- Meets EN55015(CISPR15), EN61547
- Operating Frequency Range: 45-75 kHz
- Abnormal Protection Circuit
- Auto-Reset Shutdown Circuit
  - lamp(s) should be replaced at end of lamp life
  - Lamp relights upon insertion in socket

### Safety:

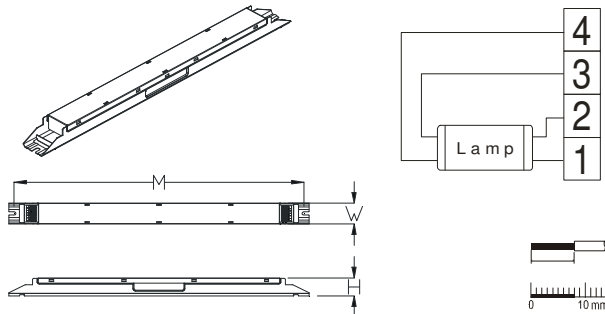
- No PCB's

### Application:

- Minimum Starting Temperature: 50° F (10° C)
- Maximum Ambient Temperature: 122° F (50° C)
- Maximum Case Temperature (@ tc): 75° C
- Sound Rated: A

### Physical Parameters

Case:	T5-Middle
Overall Length (L):	14.25" (362mm)
Width (W):	1.18" (30mm)
Mounting (M):	13.86" (352mm)
Height (H):	1.00" (25.4mm)
Weight:	0.77lbs (0.35kg)
Qty/Cartron:	27pcs
Color:	White
Case Material:	Metal



**Ballast has plug in wire trap connectors.**  
**Use 18 AWG solid copper wire(dia. 0.5-1.0mm<sup>2</sup>)**  
**stripped to 5/16" (7.0~8.5mm)**  
**Ballast must be grounded.**  
**Use external ground wire.**

**Install in accordance with local electrical code.**

### Instruction of Installation:

- \* The installation should accord with the electrical operating provision.
- \* Length of the tie wire between ballast and tube should take reference to the Label, the maximum length is 2 meters.
- \* It is better to use a qualified lamp holder, in order to avoid contacting badly and shortening the lamp life.
- \* Dimming control wire should be separated from the ballast output wire, and as short as possible. The length suggested is less than 20 meters. Or the effect of usage will be influenced.
- \* Please pay attention to the polarity of the dimming control wire, or the lamp won't be dimmed normally.
- \* Please ground safely.

### Instruction of Use:

- \* A new lamp should be ignited at least 100 hours when the light output is 100%.
- \* Please start with maximum output, and dim it after 5 minutes.
- \* In order to protect and prolong the life of the whole dimming system, please pay attention to the suggestions above.

### Warranty:

Universal Lighting Asia Ltd. warrants to the purchaser that each electronic ballast will be free from defects in material or workmanship for a period of 3 years from date of manufacture when properly installed and under normal conditions of use. Call **852-28779688** for technical assistance.